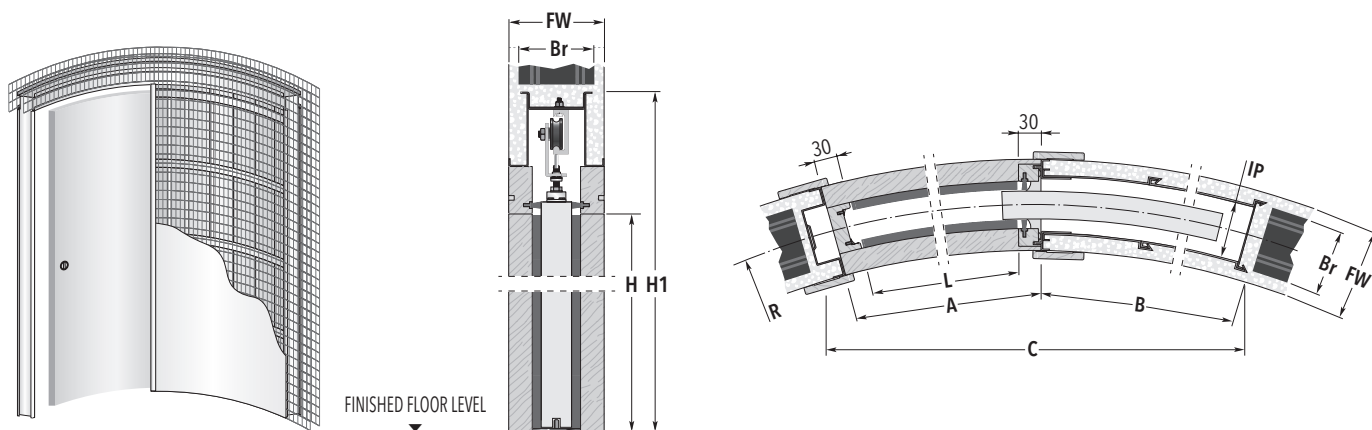


# ECLISSE CIRCULAR SINGLE

SOLID WALL



## SYSTEMS FOR CURVED SINGLE DOOR - Measures related to Italian standards, other dimensions available

RADIUS R	PASSAGE SIZE	OVERALL DIMENSIONS		
	L x H	C x H1	A	B
1000 →	600 x 2000/2100	1250 x 2158/2258	660	650
	700 x 2000/2100	1390 x 2158/2258	760	735
	800 x 2000/2100	1545 x 2158/2258	860	860
	900 x 2000/2100	1650 x 2158/2258	960	940
	1000 x 2000/2100	1760 x 2158/2258	1060	1055
1200 →	600 x 2000/2100	1295 x 2158/2258	660	665
	700 x 2000/2100	1450 x 2158/2258	760	755
	800 x 2000/2100	1600 x 2158/2258	860	840
	900 x 2000/2100	1770 x 2158/2258	960	970
	1000 x 2000/2100	1890 x 2158/2258	1060	1055
1300 →	600 x 2000/2100	1305 x 2158/2258	660	670
	700 x 2000/2100	1470 x 2158/2258	760	760
	800 x 2000/2100	1625 x 2158/2258	860	850
	900 x 2000/2100	1775 x 2158/2258	960	935
	1000 x 2000/2100	1940 x 2158/2258	1060	1065
1500 →	600 x 2000/2100	1330 x 2158/2258	660	675
	700 x 2000/2100	1500 x 2158/2258	760	770
	800 x 2000/2100	1665 x 2158/2258	860	860
	900 x 2000/2100	1825 x 2158/2258	960	950
	1000 x 2000/2100	1975 x 2158/2258	1060	1040

RADIUS R	PASSAGE SIZE	OVERALL DIMENSIONS		
	L x H	C x H1	A	B
1700 →	600 x 2000/2100	1300 x 2158/2258	660	640
	700 x 2000/2100	1480 x 2158/2258	760	730
	800 x 2000/2100	1695 x 2158/2258	860	870
	900 x 2000/2100	1865 x 2158/2258	960	965
	1000 x 2000/2100	2025 x 2158/2258	1060	1055
1800 →	600 x 2000/2100	1350 x 2158/2258	660	685
	700 x 2000/2100	1530 x 2158/2258	760	780
	800 x 2000/2100	1705 x 2158/2258	860	870
	900 x 2000/2100	1875 x 2158/2258	960	965
	1000 x 2000/2100	2040 x 2158/2258	1060	1055
2000 →	600 x 2000/2100	1360 x 2158/2258	660	690
	700 x 2000/2100	1540 x 2158/2258	760	785
	800 x 2000/2100	1720 x 2158/2258	860	880
	900 x 2000/2100	1900 x 2158/2258	960	970
	1000 x 2000/2100	2070 x 2158/2258	1060	1065

FINISHED WALL = FW	BRICKS = Br	INTERNAL PASSAGE = IP
125 →	100	72

Dimensions are given in mm

### NON-STANDARD SIZES

- ▶ Passage width 600÷1200 mm.
- ▶ Passage height 1000÷2600 mm.
- ▶ Radius 1000÷5000 mm.

### NOTES

- ▶ Max. door weight 80 kg.
- ▶ Install at finished floor level.
- ▶ Always specify the opening direction.

